



# Model 5A40-11 — Surface-Mounted Bradex®

- Diplomat Series
- 250 Capacity

## Product Materials

**UNIT:** 0.036-inch/20ga.-(0.92 mm) stainless steel with exposed surfaces in architectural satin finish. Welded construction with seamless corners and burr-free edges.

## Capacity

250 standard single-fold or half-fold toilet seat covers.

## Operation

Cabinet bottom hinged for easy filling. Tumbler lock keyed like other Bradley units. Unit has spring clip dispensing mechanism.

## Installation

Secure unit to wall or toilet partition with mounting screws (not included) at holes provided.

## Guide Specification

Surface-mounted seat cover dispenser, with face formed with contemporary contours, radii, and finish matching related accessories in manufacturer's designer series. Capacity 250 standard single-fold or half-fold toilet seat covers. Equipped with spring clip dispensing mechanism and bottom-hinged service door with keyed tumbler lock. Universal keying. Formed from stainless steel sheet with satin finish on exposed surfaces, fully welded, with seamless corners and burr-free edges: cabinet and door 0.036-inch / 20-ga. thick.

**Overall dimensions: 17<sup>5</sup>/<sub>8</sub>"W x 12<sup>1</sup>/<sub>16</sub>"H x 1<sup>3</sup>/<sub>4</sub>"D.**

**MasterFormat Title:** Commercial Toilet Accessories

**MasterFormat Number:** 10 28 13.13

**OmniClass Title:** Toilet and Bath Specialties

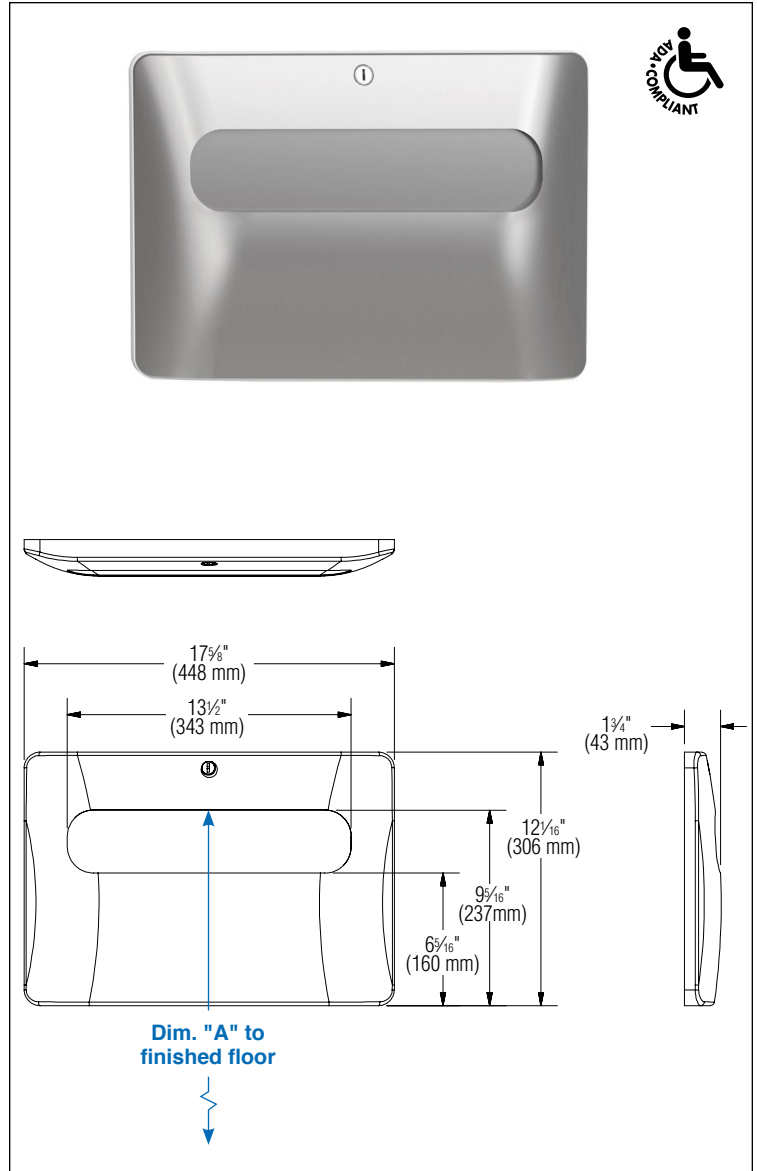
**OmniClass Code:** 23.31.25.00

## ADA Compliant

- Consult local and national accessibility codes for proper installation guidelines.
- Conformity and compliance to local and national codes is the responsibility of the installer.

**For information on Warranties, Maintenance and BAA/ARRA Compliance, visit our web site at:**  
[bradleycorp.com/products/accessories/](http://bradleycorp.com/products/accessories/).

Orders composed of products indicated as **Bradex®** will be available to ship in three days after receipt of order at the factory. There is no pricing penalty for this service from Bradley.



Dim. "A" Key Surface:	For Dim. "A"	Top of Rough Wall Opening	Bottom of Rough Wall Opening
Top of seat cover opening to finished floor	48" (1219mm)	50 <sup>3</sup> / <sub>4</sub> " (1289mm)	38 <sup>1</sup> / <sub>16</sub> " (983mm)
	45" (1143mm)	47 <sup>3</sup> / <sub>4</sub> " (1213mm)	35 <sup>1</sup> / <sub>16</sub> " (906mm)
	42" (1067mm)	44 <sup>3</sup> / <sub>4</sub> " (1137mm)	32 <sup>1</sup> / <sub>16</sub> " (830mm)
	40" (1016mm)	42 <sup>3</sup> / <sub>4</sub> " (1086mm)	30 <sup>1</sup> / <sub>16</sub> " (779mm)

[View Latest Version](#)